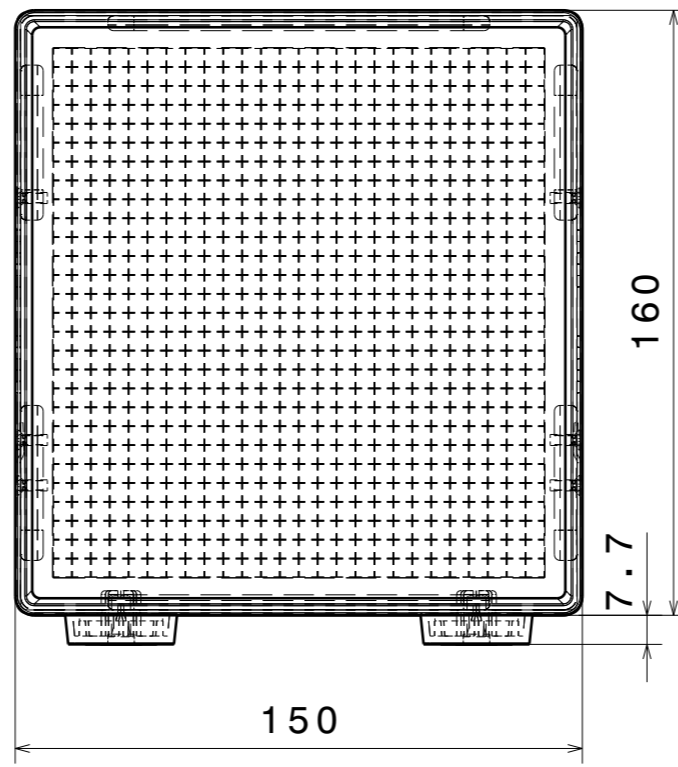
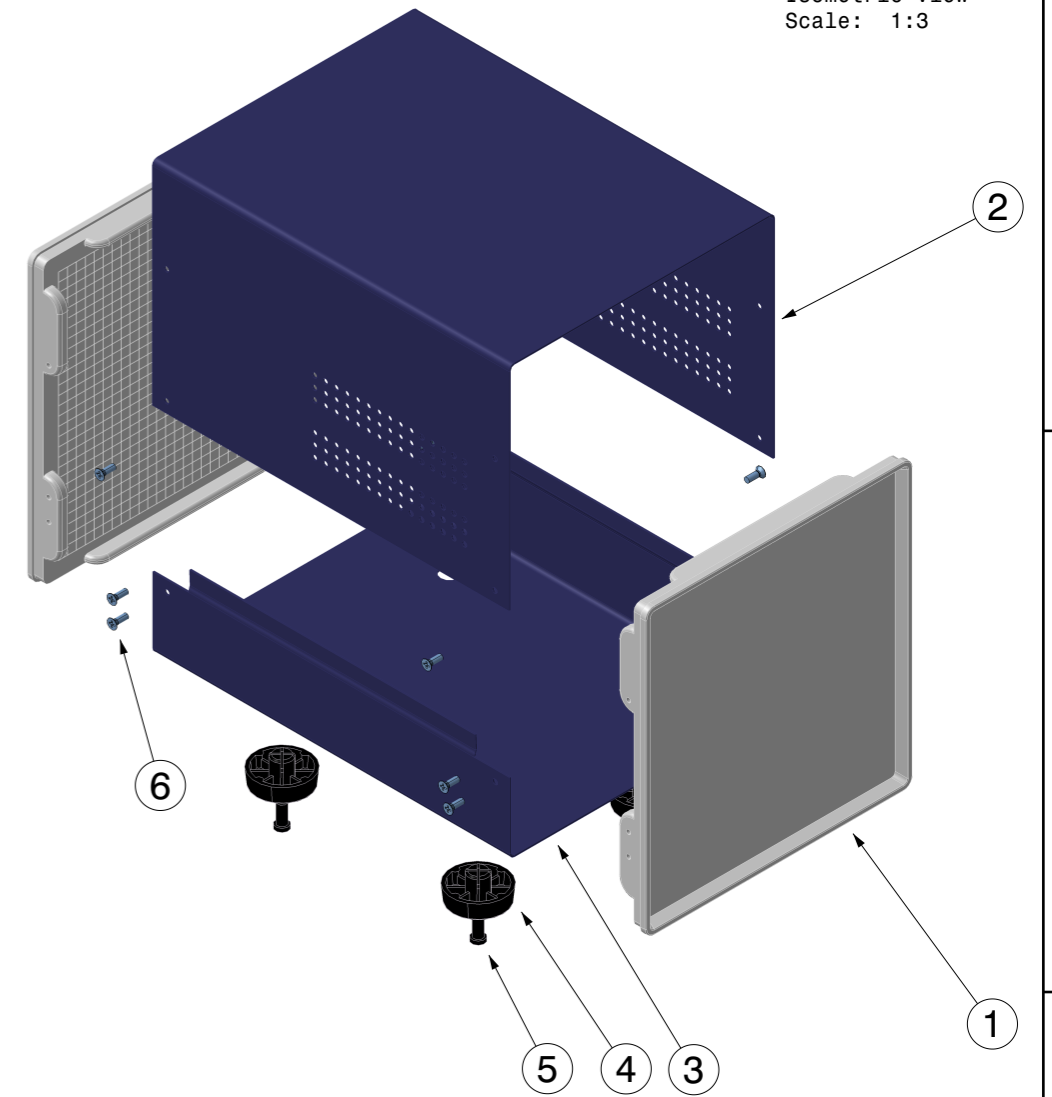


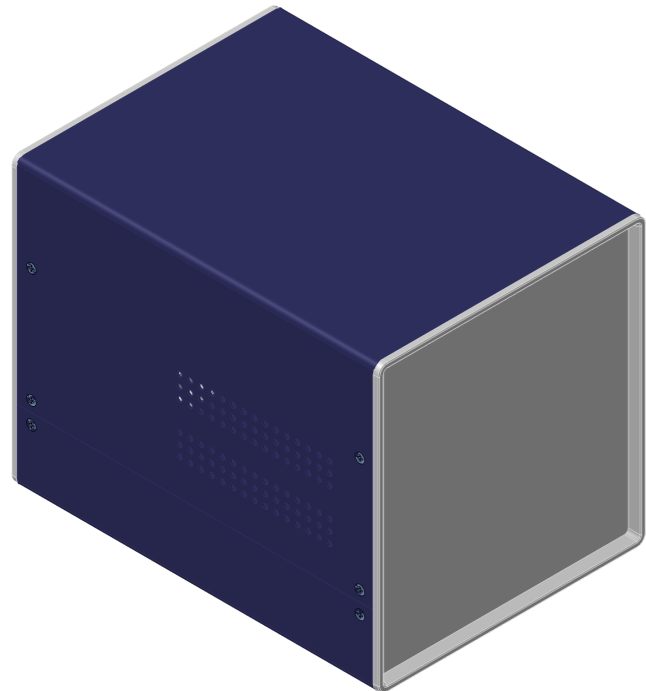
Front view  
Scale: 1:2



Left view  
Scale: 1:2



Isometric view  
Scale: 1:3



Isometric view  
Scale: 1:3

SB-9003 DIM.S			
REF	LENGTH "A"	WIDTH	HEIGHT
1	110	150	160
2	140	150	160
3	170	150	160
4	200	150	160
5	250	150	160

NO.	DESCRIPTION	WEIGHT (KG)	QTY.	MATERIAL	SIZE	SUB ASSY. OR PART NAME
6	SCREW		12	STD	M3x8	
5	LOCK PIN		4	ABS	∅5x13	
4	STAND		4		∅30x8	
3	BASE		1	ST37	VARIOUS	
2	CAP (COVER)		1	ST37	VARIOUS	
1	PLASTIC PANEL		2	ABS	150x160	

The tolerance of dimentionations not indicated according to DIN 7168										
DIN 7168	Tol. Grade	0.5-3	3-6	6-30	30-120	120-400	400-1000	1000-2000	2000-4000	4000-8000
Length Tol.	m	±0.1	±0.1	±0.2	±0.3	±0.5	±0.8	±1.2	±2	±3

DESIGNER		PROJECT TITLE:	PROJECT NO.:
DRAWN	AIDIN	<b>SB-9003</b>	<b>SB-9003 00</b>
CHEKED			PART / SUB ASSY. NO.:
CONTROL	NEMATI		
APPROVED			

	SCALE: 1/2	SUB ASSY. /PART NAME:		
	DATE: 98/1/7	PAPER SIZE: A3	SHEET: 1/1	UNIT: MM

